

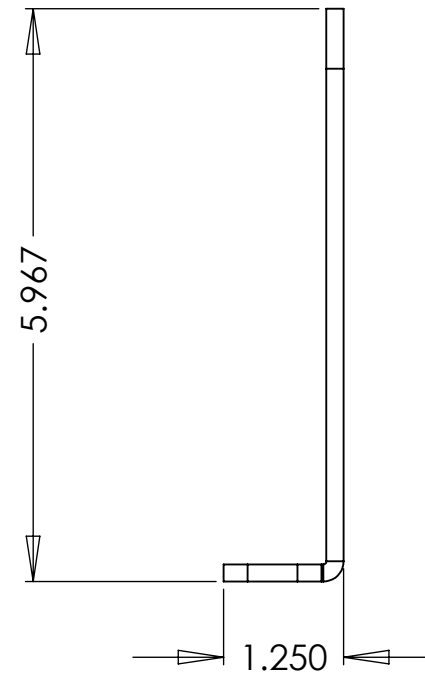
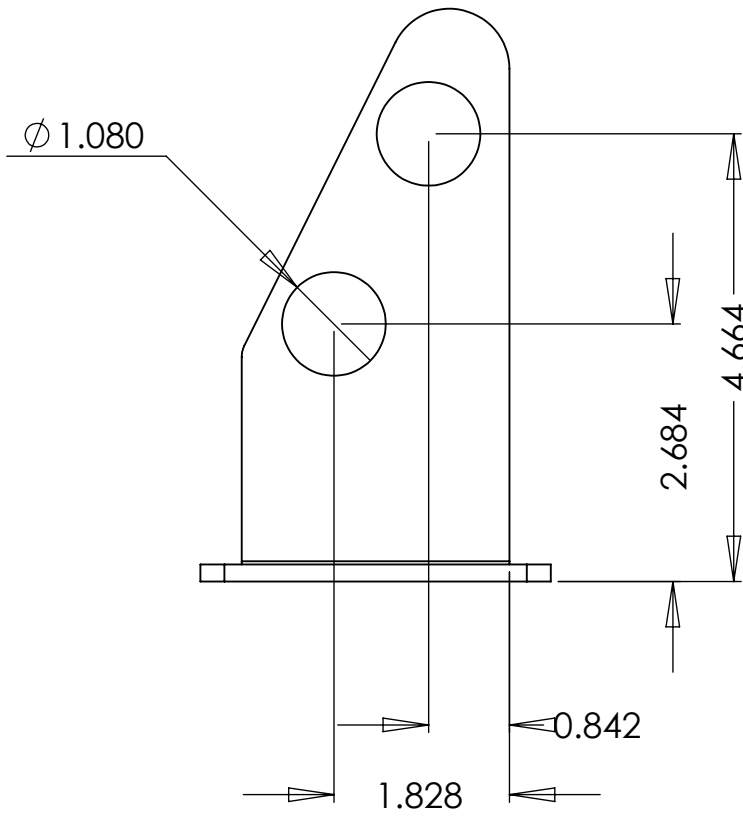
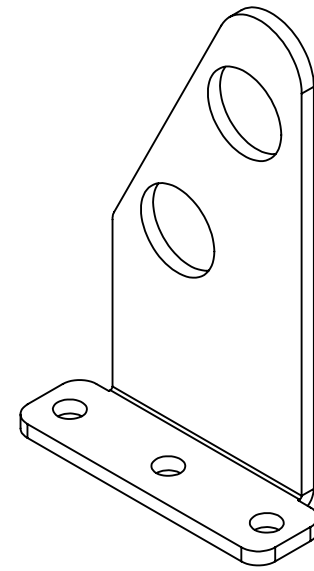
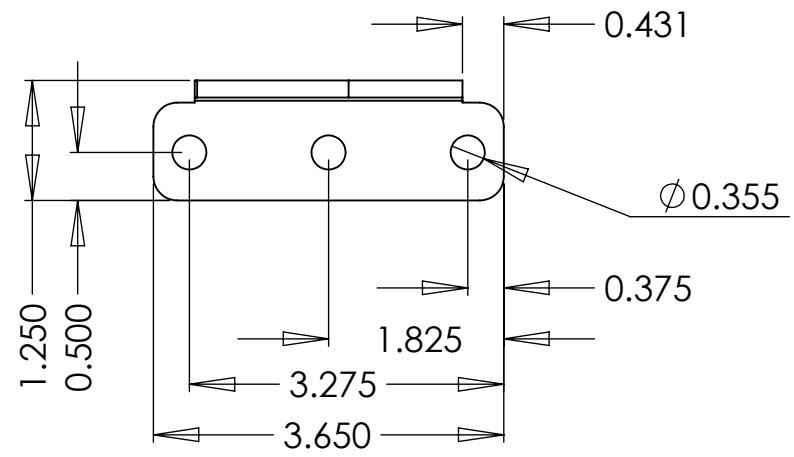
8 7 6 5 4 3 2 1

D

C

B

A



UNLESS OTHERWISE SPECIFIED:

DIMENSIONS ARE IN INCHES
 TOLERANCES:
 FRACTIONAL ±
 ANGULAR: MACH ± BEND ±
 TWO PLACE DECIMAL ±
 THREE PLACE DECIMAL ±

PROPRIETARY AND CONFIDENTIAL
 THE INFORMATION CONTAINED IN THIS DRAWING IS THE SOLE PROPERTY OF VSM TECHNOLOGIES. ANY REPRODUCTION IN PART OR AS A WHOLE WITHOUT THE WRITTEN PERMISSION OF VSM TECHNOLOGIES IS PROHIBITED.
 © 2006 VSM TECHNOLOGIES

| | | | |
|-------------------|------------|------------|-------------|
| MATERIAL | 7 GA HRPO | | |
| Bending | TOP | BTM | S.A. |
| Tool Set 1 | 148-8 | 0.984 | 0.336 |
| Tool Set 2 | NA | NA | NA |
| Tool Set 3 | NA | NA | NA |

| | |
|---------------------|-------------|
| NAME | DATE |
| DRAWN JS-PRP | 11/15/2012 |

COMMENTS:

vsm technologies
 3200 s. yellowstone hwy
 idaho falls, idaho 83402
 208.522.2233

TITLE
 DECK MOUNT BRKT
 DOUBLE 1.080 HOLES

DWG. NO. **10L03OABC** REV

SCALE: 1:2 SHEET 1 OF 2

| REV. | DESCRIPTION | DATE | MADE BY |
|------|-------------|------|---------|
| | | | |

8 7 6 5 4 3 2 1