



**Note to designer and specifier: This specification sheet is provided for your use by Sno Shield Snow Guards. For more information, samples, and spacing layout instructions, call 888-976-6744 or email [info@snoshield.com](mailto:info@snoshield.com).**

**Section 07 72 53**

**Sno Shield™ SS Mini Specification Sheet**

**PART 1 – GENERAL**

**1.1 SUMMARY**

**A. Section Includes:**

1. Snow guards for installation on sloped roofing-for metal roofs and metal panels.
2. Non-penetrating snow guards for mechanical mounting over metal structural rib.
  - a. Dimensions: (W-Face x H-Face x L-Base): 1.5”(38.09 mm) x 2”(50.8 mm) x 3.75”(95.25 mm).
  - b. Color: Clear, Color Injected as selected by Architect.

**PART 2 – PRODUCTS**

**2.1 MANUFACTURER**

- A. Sno Shield Inc; 3968 E Sunnyside Rd, Bldg 3, Ammon, ID. 83406; Toll Free Tel: 888-976-6744; Tel: 208-524-7371; Fax: 208-524-1041; Email: [info@snoshield.com](mailto:info@snoshield.com); Web:[www.snoshield.com](http://www.snoshield.com)

**2.2 MATERIALS**

- A. Injection molded virgin grade polycarbonate plastic treated with UV stabilizers.
1. Tensile Strength: 9,000 psi (ASTM Test D-638)
  2. Elongation: 140% (ASTM Test D-638)
  3. Strength (Notched Izod): 12 ft-lb/in (ASTM Test D-256)
  4. Modulus: 335,000 psi (ASTM Test D-790)

**PART 3 – EXECUTION**

**3.1 PREPERATION**

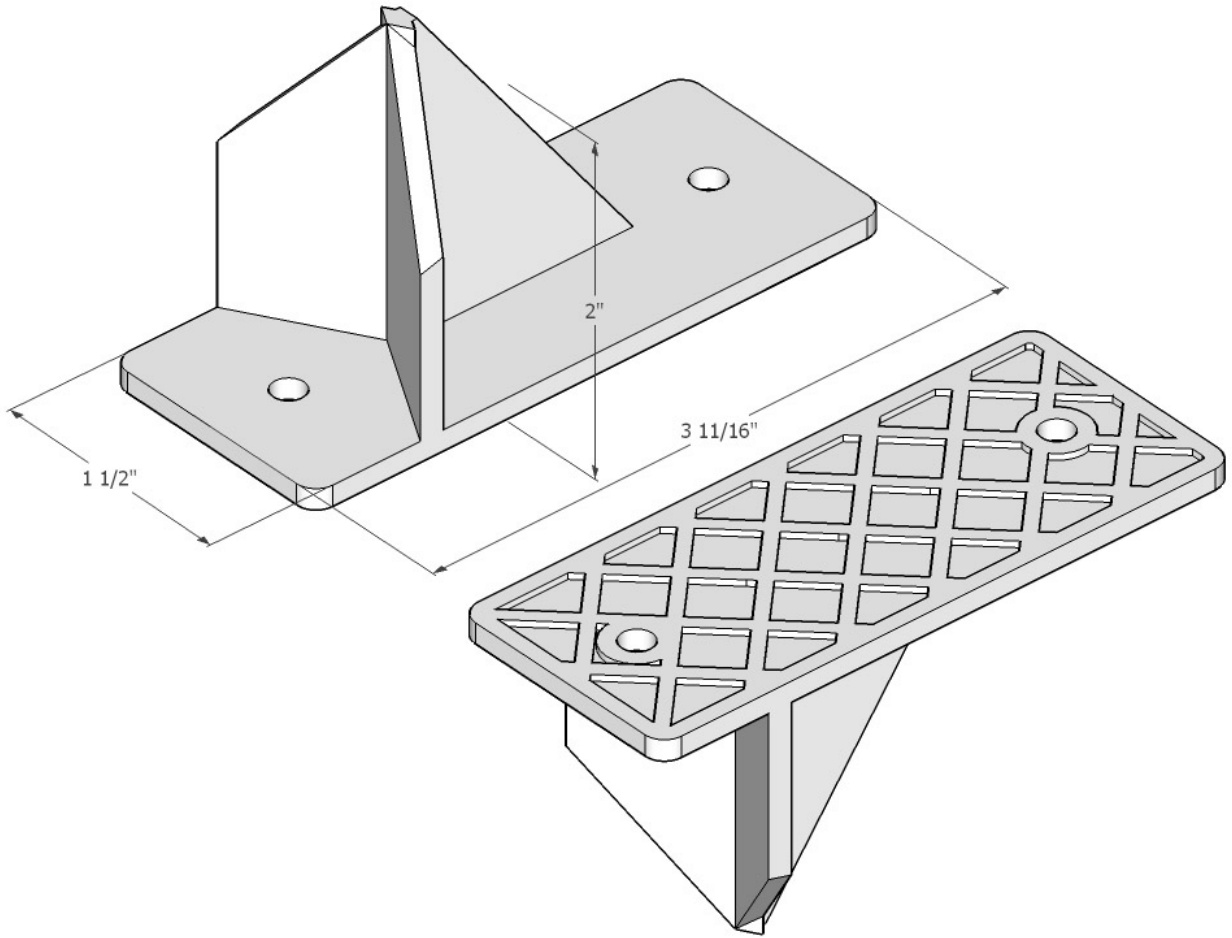
- A. Prior to installation, inspect conditions to verify that surfaces are suitable for installation of snow guards and clean all surfaces to achieve best result.
- B. 2-Sided Tape Mounted Units: Apply primer on contact area for optimal adhesion. Maintain a minimum of 32 degrees F (0 C) for at least 48 hours after installation.

**3.2 INSTALLATION**

- A. Install system in accordance with manufacturer’s installation instructions and approved architectural drawings.
- B. Mechanical Mounted Units: Install snow guard in accordance with adhesive mounted instructions. Attach snow guard to roof using appropriate self-tapping screws to screw through pre-drilled holes in the base. Apply sealant to fastener heads and base of unit.
- C. Adhesive Mounted Units: Clean contact area thoroughly with isopropyl alcohol and allow to dry completely before installation. Apply sealant evenly across entire underside of snow guard base. Place snow guard in desired position and press down to squeeze adhesive out along perimeter of snow guard. Run a bead of sealant around the edge of the base to properly waterproof and fill any voids.
- D. Tape Mounted Units: Remove backing from tape on base of snow guard. Press snow guard in place while applying firm, even pressure. Apply a thin bead of sealant around base.

**3.3 WARRANTY**

- A. The following warranty is made in lieu of all other warranties expressed or implied. Sno Shield warrants that the products it manufactures shall be free from material defects. Any goods proven to be defective due to materials will be replaced or purchase price refunded. In no event shall Sno Shield Inc be liable for incidental or consequential damages or misapplication of the product. The customer shall determine the suitability of the product for its intended use and assumes all risks of its use or handling including proper installation of the product. Because the manufacturer has no control of workmanship, there is no warranty on screws, tapes, sealants or adhesives sold or recommended. There is no warranty on the installation or application of any Sno Shield, Inc products. Any Sno Shield product warranty claim is limited solely to Sno Shield, Inc.



Snow Guards  
07 72 53-2