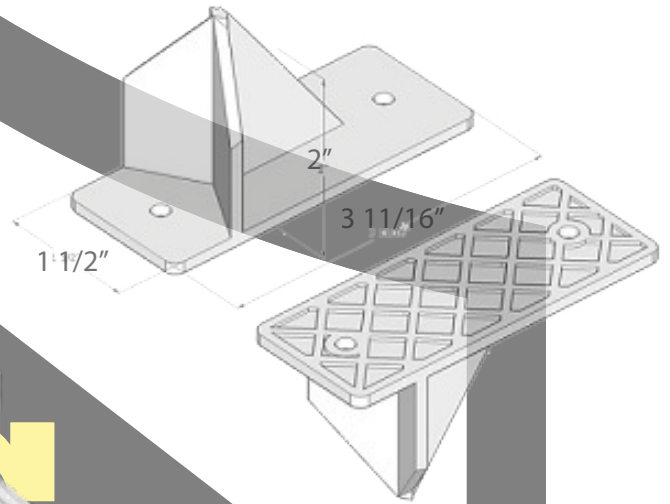
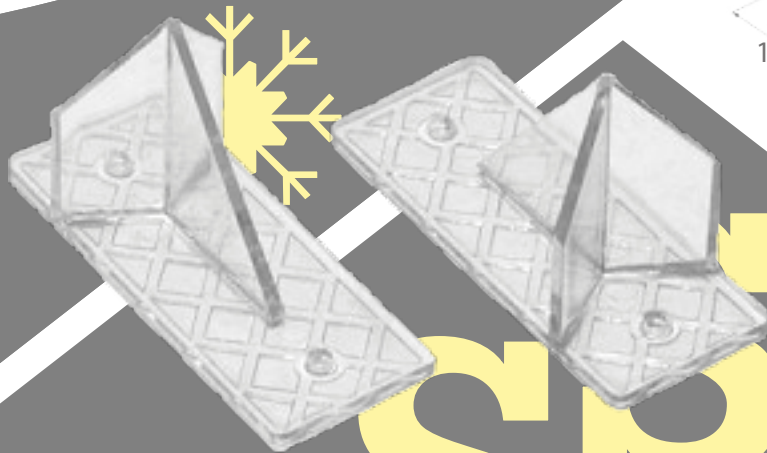


S.S. Mini



The Sno Shield SS Mini snow guards are designed for lighter snow loads and panel/tile shapes that are difficult for larger panel guards to fit in. These contain all of the same engineering strength that the larger Panel Guard has, but are more flexible for those odd jobs.

The SS Mini is our snow retention product for lighter snow loads and hard to fit panels with a lower profile and smaller base than our other plastic snow stops. These contain all of the same engineering strength that the larger Panel Guard has, but are more flexible for those odd jobs. The SS Mini has a sure grip base that its ability to bond to the roof. It is also available with a peel and stick base. The SS Mini is available for all types of roofs including metal, slate, shingles, and shakes.

- Made from durable, virgin grade, UV stabilized poly-carbonate
- Clear poly-carbonate blends in with the roof
- Attractive design for enhanced aesthetics
- Sure Grip base for increased bonding strength
- 1.5 inch wide base and 2 inch height for effective stopping power

- Can be adhesively attached, mechanically fastened or both
- Y-shaped design for more effective collection of snow
- Pre-drilled holes for quick and easy mechanical fastening