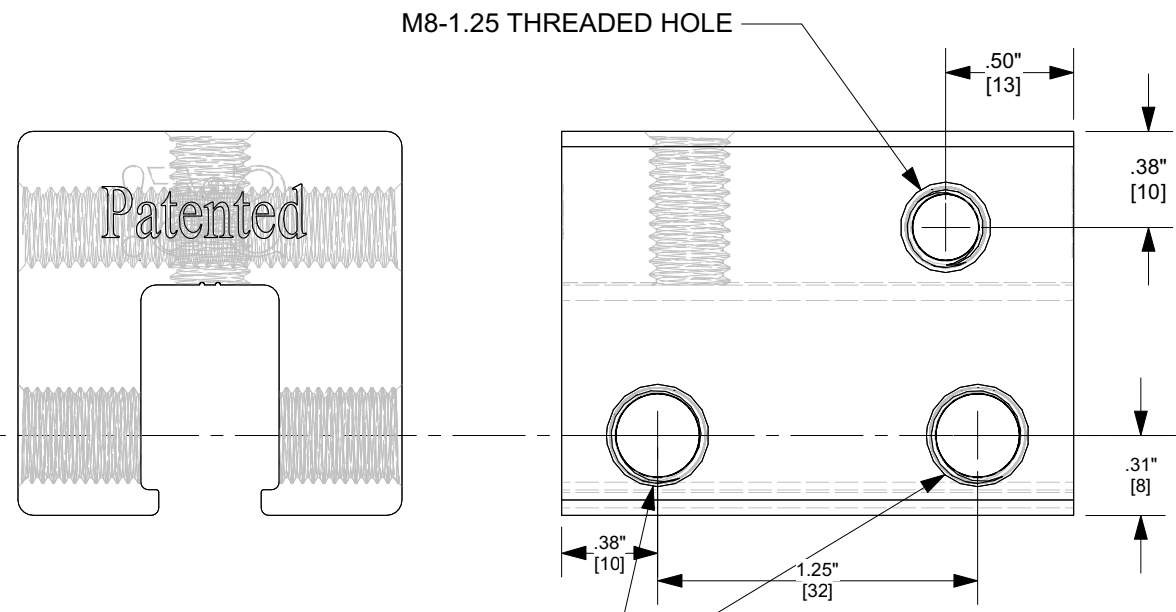


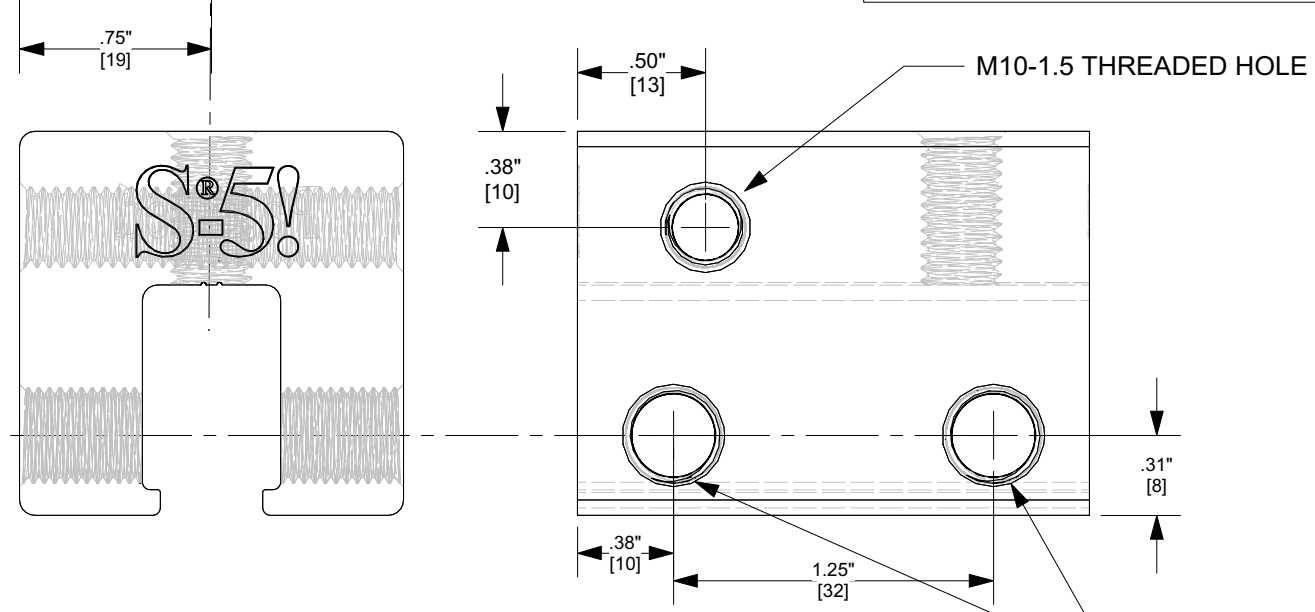
SCALE: 2X

M8-1.25 THREADED HOLE



BACK

LEFT



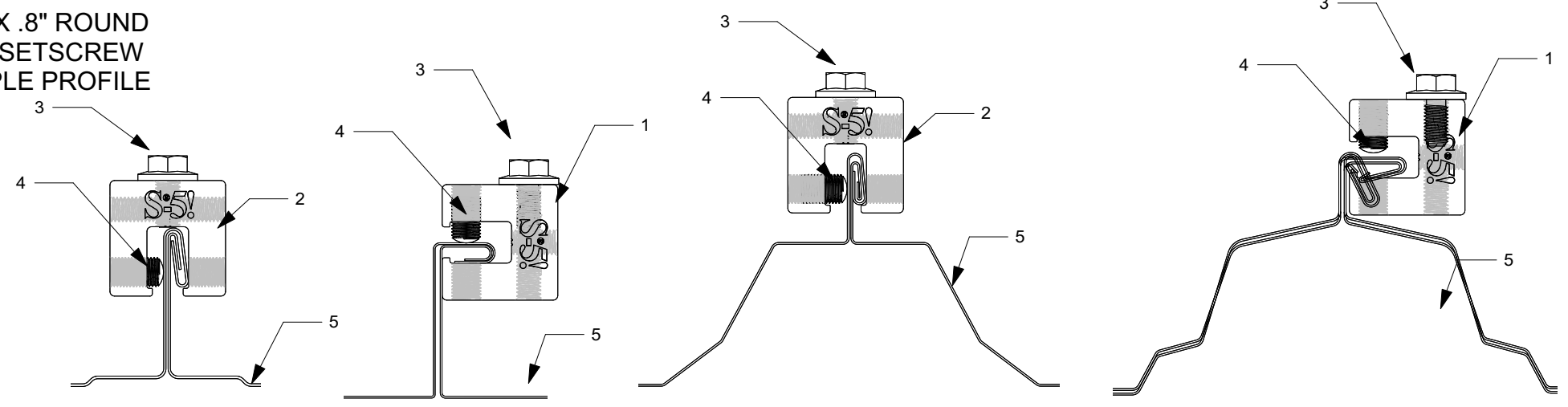
FRONT

RIGHT

M10-1.5 THREADED HOLE

(2X) 3/8-24 THREADED HOLE

- Notes**
1. S-5-U (HORIZONTAL)
 2. S-5-U (VERTICAL)
 3. M8-1.25 X 16mm LENGTH 13mm HEX FLANGE BOLT
 4. 3/8-24 X .8" ROUND POINT SETSCREW
 5. EXAMPLE PROFILE
 6. N/A



FOR STANDING SEAM SPECIFIC MECHANICAL LOAD TEST INFORMATION AND CLAMP INSTALLATION INFORMATION PLEASE VISIT: WWW.S-5.COM

MATERIAL:	6000 SERIES
EST ASSEMBLY WEIGHT :	.4 LBS
SUPPLIED HARDWARE:	M8-1.25 X 16MM (13MM HEX) 18/8 SS 3/8-24 X .800" 18/8 SS
SCALE:	1:0.75
OTHER:	



METAL ROOF INNOVATIONS, LTD.
8655 TABLE BUTTE RD
COLORADO SPRINGS, CO 80908
719-495-0518
719-495-0045 (FAX)

TITLE: S-5-??			
DRAWING NO.	U11-B-14-A CCD	DRAWN BY	DMMH
DATE	09/19/2014		

S-5!® PRODUCTS ARE PROTECTED BY MULTIPLE U.S. PATENTS INCLUDING 5,228,248, 5,983,588 AND 6,164,033 (OTHERS ISSUED AND PENDING). EUROPEAN PATENTS ARE ALSO APPLIED FOR AND PENDING UNDER THE PATENT COOPERATION TREATY WITH DIVISIONAL FILING RIGHTS RETAINED. METAL ROOF INNOVATIONS, LTD. (LICENSOR OF S-5!® TECHNOLOGY) AGGRESSIVELY PROSECUTES PATENT INFRINGEMENT.