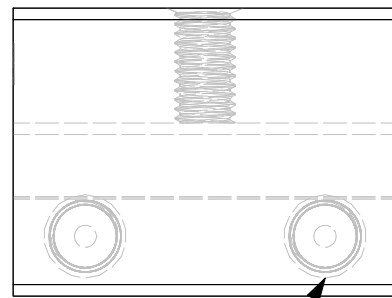
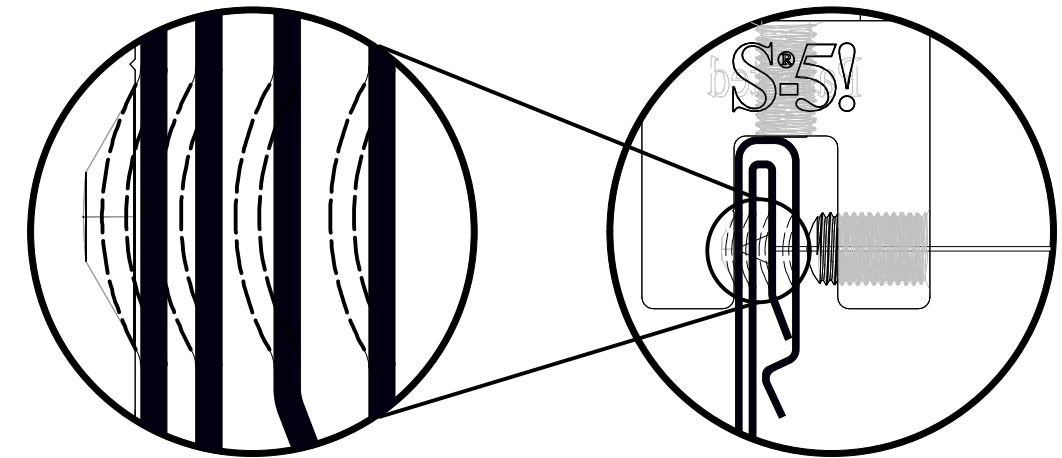
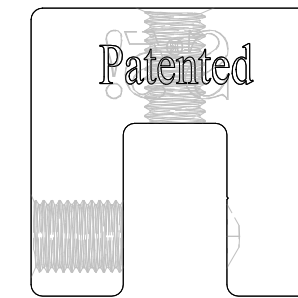
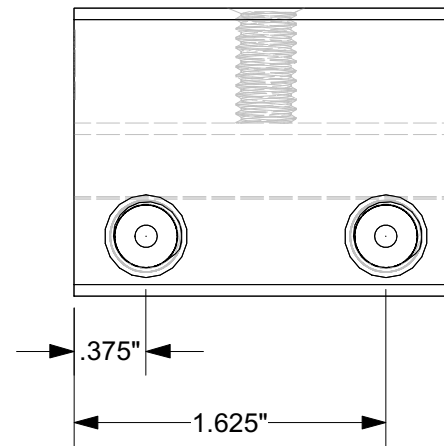
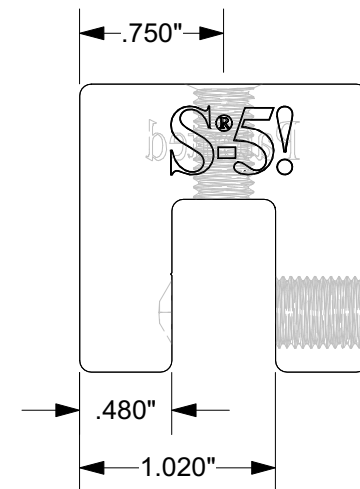


M8-1.25 THREADED THROUGH HOLE
0.60" COUNTERSINK



3/8-24 THREADED SETSCREW HOLE
0.60" COUNTERSINK



MATERIAL:	6061 T6 Al
EST ASSEMBLY WEIGHT :	
SUPPLIED HARDWARE:	M8-1.25 16 mm LENGTH 13 mm HEX FLANGE BOLT 3/8-24 0.80" ROUND POINT SETSCREW
SCALE:	1:1
OTHER:	NA



METAL ROOF INNOVATIONS, LTD.
8655 TABLE BUTTE RD
COLORADO SPRINGS, CO 80908
719-495-0518
719-495-0045 (FAX)

TITLE	S-5-S CCD		
DRAWING NO.	SHT-1	DRAWN BY	NH
		DATE	09/10/15
<small>S-5!® PRODUCTS ARE PROTECTED BY MULTIPLE U.S. PATENTS INCLUDING 5,228,248, 5,983,588 AND 6,164,033 (OTHERS ISSUED AND PENDING). EUROPEAN PATENTS ARE ALSO APPLIED FOR AND PENDING UNDER THE PATENT COOPERATION TREATY WITH DIVISIONAL FILING RIGHTS RETAINED. METAL ROOF INNOVATIONS, LTD. (LICENSOR OF S-5!® TECHNOLOGY) AGGRESSIVELY PROSECUTES PATENT INFRINGEMENT.</small>			