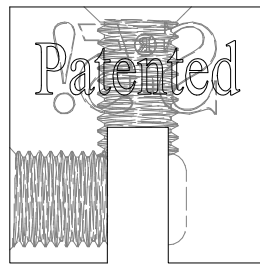
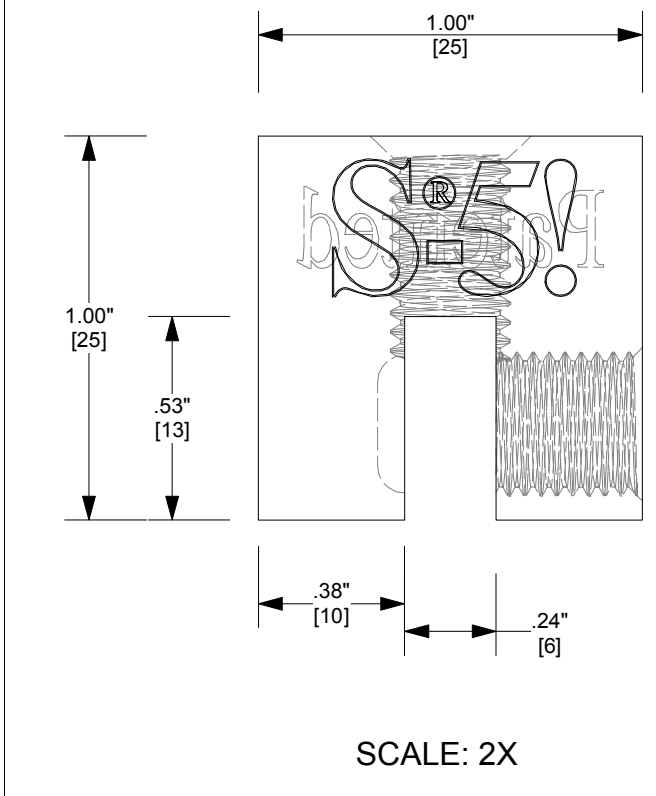
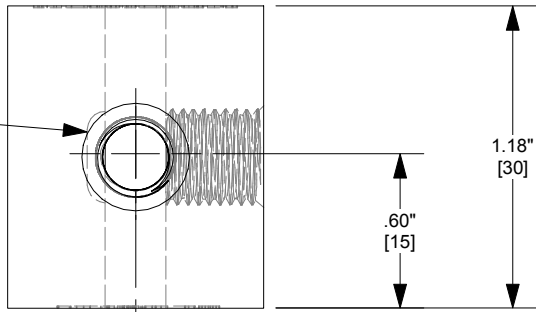
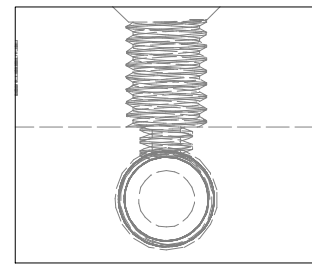


M8-1.25 THREADED HOLE

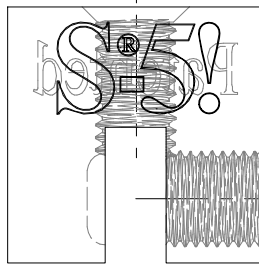
TOP



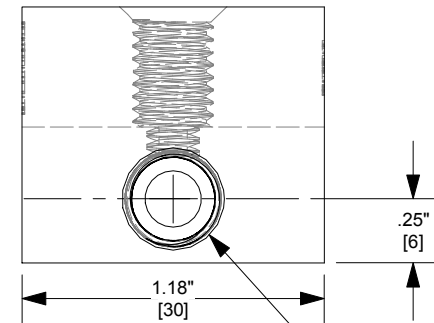
BACK



LEFT



FRONT

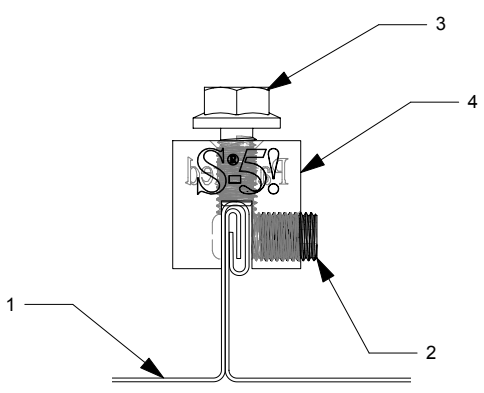


RIGHT

3/8-24 THREADED HOLE

Notes

1. EXAMPLE PROFILE
2. 3/8-24 X .5" ROUND POINT SETSCREW
3. M8-1.25 X 16MM HEX FLANGE BOLT
4. S-5-B MINI



FOR STANDING SEAM SPECIFIC MECHANICAL LOAD TEST INFORMATION AND CLAMP INSTALLATION INFORMATION PLEASE VISIT: WWW.S-5.COM

| | | | |
|---|---|---|-----------------|
| MATERIAL: BRASS - C23000 |  | METAL ROOF INNOVATIONS, LTD. 8655 TABLE BUTTE RD COLORADO SPRINGS, CO 80908 719-495-0518 719-495-0045 (FAX) | |
| EST ASSEMBLY WEIGHT : | | TITLE S-5-B Mini | |
| SUPPLIED HARDWARE: M8-1.25 X 16MM (16MM HEX) 18/8 SS 3/8-24 X .500" 18/8 SS | DRAWING NO. | B02-A-3-A CCD | DATE 05/15/2012 |
| SCALE: 1:0.75 | DRAWN BY | DMMH | |
| OTHER: | <small>S-5!® PRODUCTS ARE PROTECTED BY MULTIPLE U.S. PATENTS INCLUDING 5,228,248, 5,983,588 AND 6,164,033 (OTHERS ISSUED AND PENDING). EUROPEAN PATENTS ARE ALSO APPLIED FOR AND PENDING UNDER THE PATENT COOPERATION TREATY WITH DIVISIONAL FILING RIGHTS RETAINED. METAL ROOF INNOVATIONS, LTD. (LICENSOR OF S-5!® TECHNOLOGY) AGGRESSIVELY PROSECUTES PATENT INFRINGEMENT.</small> | | |