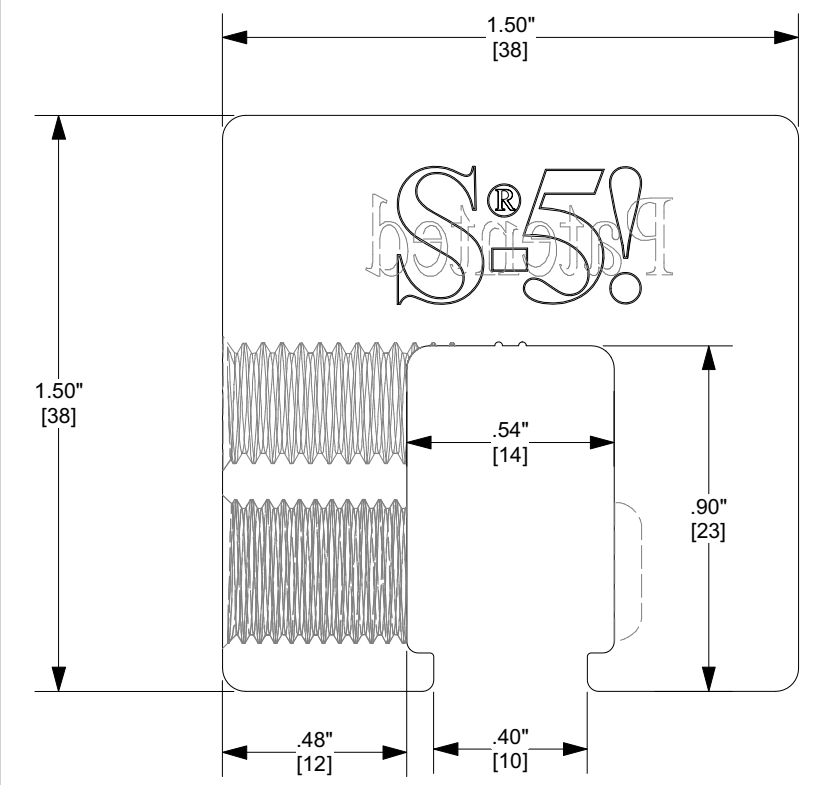
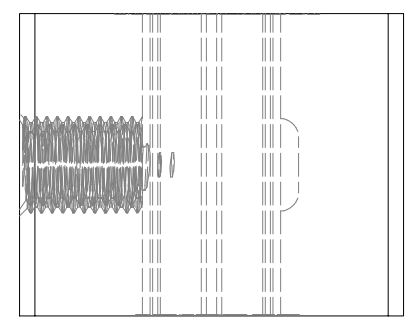
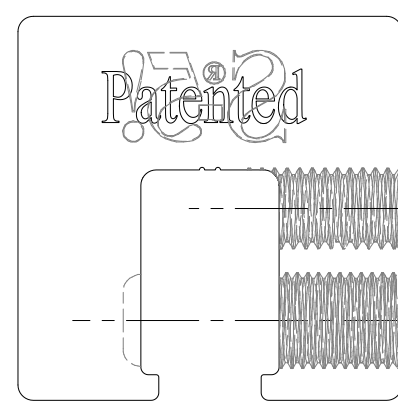


TOP



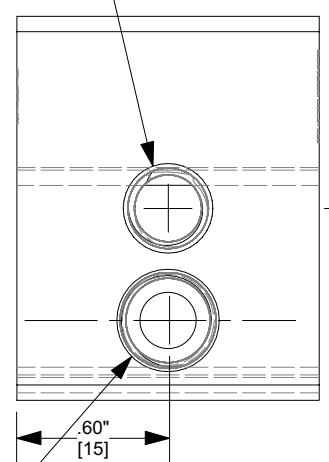
SCALE: 2X

M8-1.25 THREADED HOLE

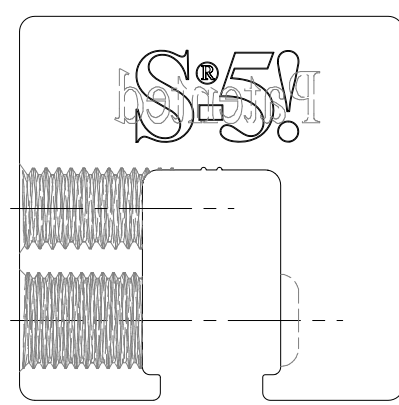


BACK

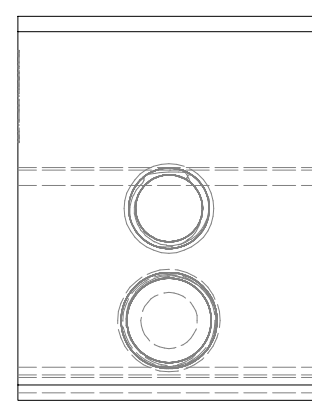
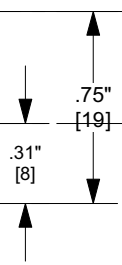
3/8-24 THREADED HOLE



LEFT



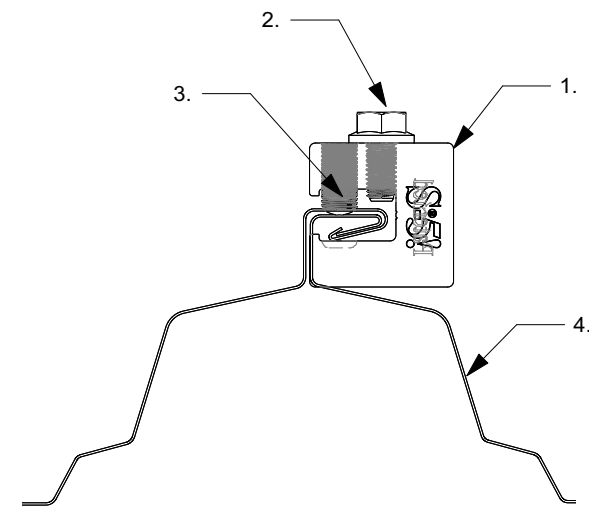
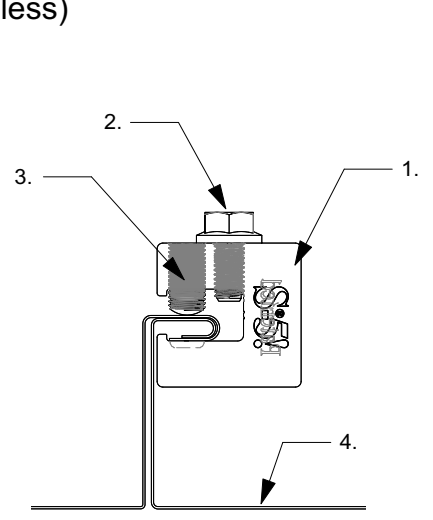
FRONT



RIGHT

General Notes

1. S-5-H90 Mini
2. M8-1.25 x 16mm Hex Flange Bolt (Stainless)
3. 3/8-24 x .800\" Round Point Setscrew (Stainless)
4. Example Roof



FOR STANDING SEAM SPECIFIC MECHANICAL LOAD TEST INFORMATION AND CLAMP INSTALLATION INFORMATION PLEASE VISIT: WWW.S-5.COM

MATERIAL:	6000 SERIES
EST ASSEMBLY WEIGHT :	.4 LBS
SUPPLIED HARDWARE:	M8-1.25 X 16MM (13MM HEX) 18/8 SS 3/8-24 X .800\" 18/8 SS
SCALE:	1:0.75
OTHER:	



METAL ROOF INNOVATIONS, LTD.
8655 TABLE BUTTE RD
COLORADO SPRINGS, CO 80908
719-495-0518
719-495-0045 (FAX)

TITLE: S-5-H90 Mini			
DRAWING NO.	U11-B-15-A CCD	DRAWN BY	DMMH
DATE	09/22/2014		
<small>S-5!® PRODUCTS ARE PROTECTED BY MULTIPLE U.S. PATENTS INCLUDING 5,228,248, 5,983,588 AND 6,164,033 (OTHERS ISSUED AND PENDING). EUROPEAN PATENTS ARE ALSO APPLIED FOR AND PENDING UNDER THE PATENT COOPERATION TREATY WITH DIVISIONAL FILING RIGHTS RETAINED. METAL ROOF INNOVATIONS, LTD. (LICENSOR OF S-5!® TECHNOLOGY) AGGRESSIVELY PROSECUTES PATENT INFRINGEMENT.</small>			