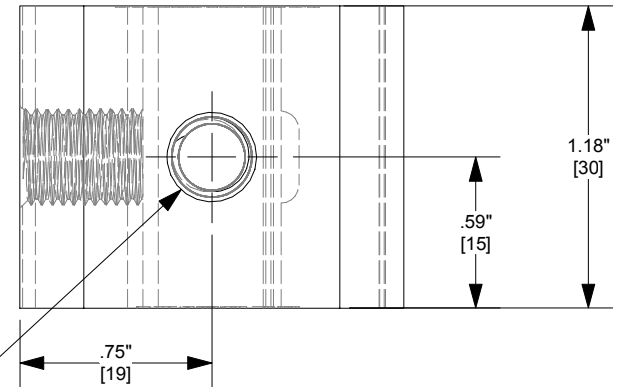
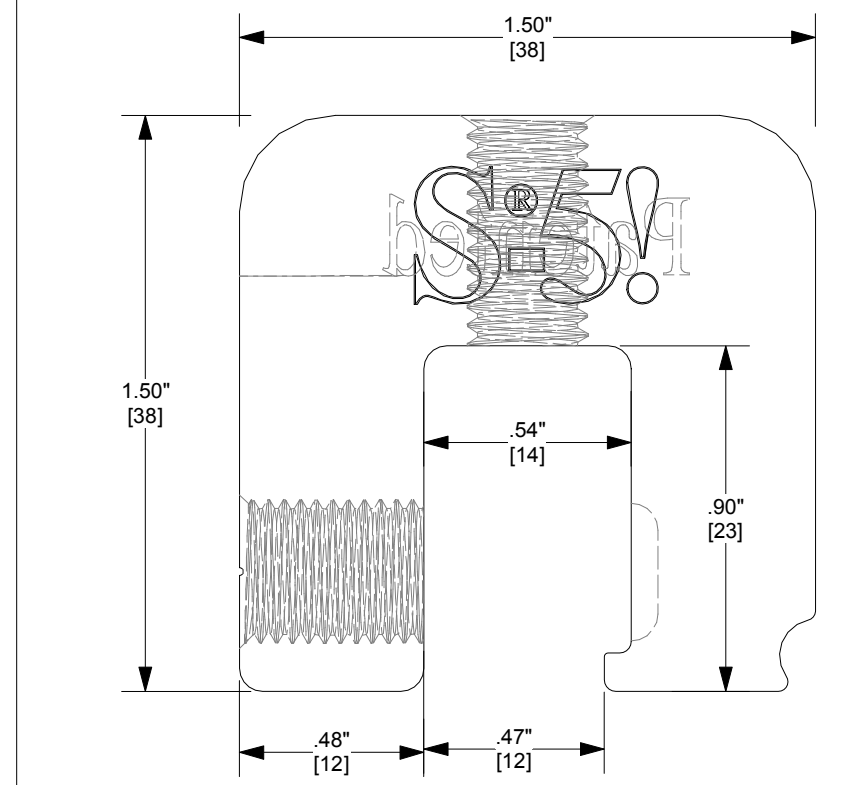


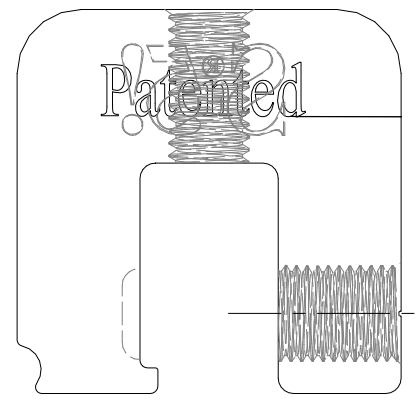
TOP



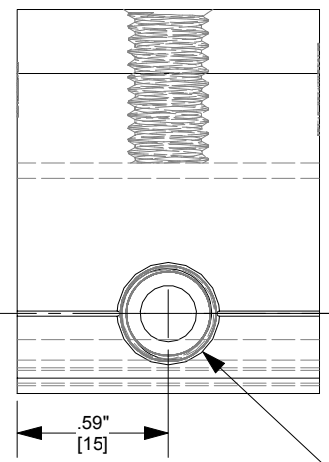
M8-1.25 THREADED HOLE



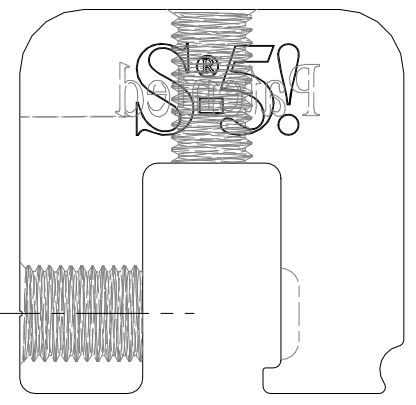
SCALE: 2X



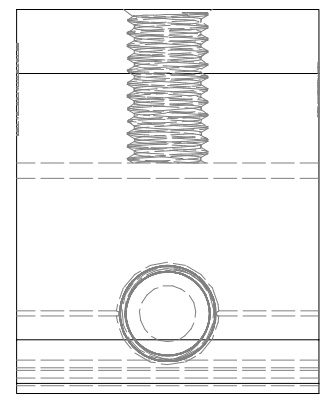
BACK



LEFT

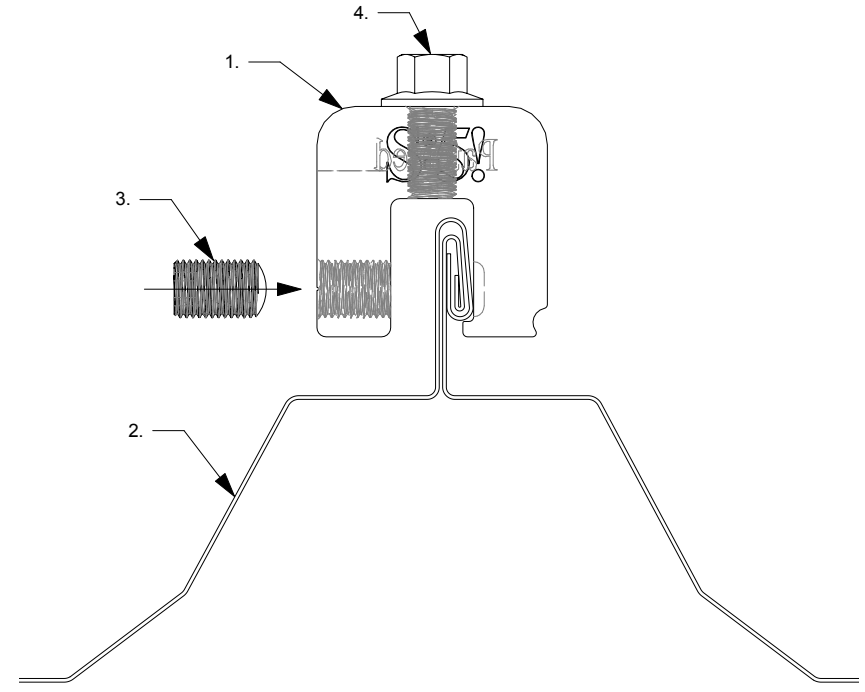
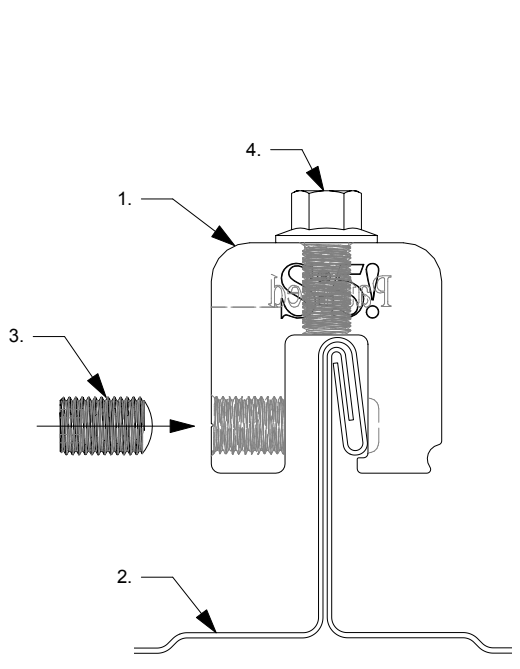


FRONT



RIGHT

3/8-24 THREADED HOLE



General Notes

1. S-5-V MINI
2. EXAMPLE PROFILE
3. 3/8-24 X .80" ROUND POINT SETSCREW (STAINLESS STEEL)
4. M8-1.25 X 16MM (13MM HEX) FLANGE BOLT (STAINLESS STEEL)

FOR STANDING SEAM SPECIFIC MECHANICAL LOAD TEST INFORMATION AND CLAMP INSTALLATION INFORMATION PLEASE VISIT: WWW.S-5.COM

MATERIAL:	6000 SERIES AL
EST ASSEMBLY WEIGHT :	0.25 LBS
SUPPLIED HARDWARE:	M8-1.25 X 16MM (13MM HEX) 18/8 SS 3/8-24 X .8" 18/8 SS



METAL ROOF INNOVATIONS, LTD.
8655 TABLE BUTTE RD
COLORADO SPRINGS, CO 80908
719-495-0518
719-495-0045 (FAX)

SCALE:	1:0.75
OTHER:	

TITLE				S-5-V MINI	
DRAWING NO.	V07-A-1-A CCD	DRAWN BY	DMMH	DATE	06/18/2014

S-5!® PRODUCTS ARE PROTECTED BY MULTIPLE U.S. PATENTS INCLUDING 5,228,248, 5,983,588 AND 6,164,033 (OTHERS ISSUED AND PENDING). EUROPEAN PATENTS ARE ALSO APPLIED FOR AND PENDING UNDER THE PATENT COOPERATION TREATY WITH DIVISIONAL FILING RIGHTS RETAINED. METAL ROOF INNOVATIONS, LTD. (LICENSOR OF S-5!® TECHNOLOGY) AGGRESSIVELY PROSECUTES PATENT INFRINGEMENT.